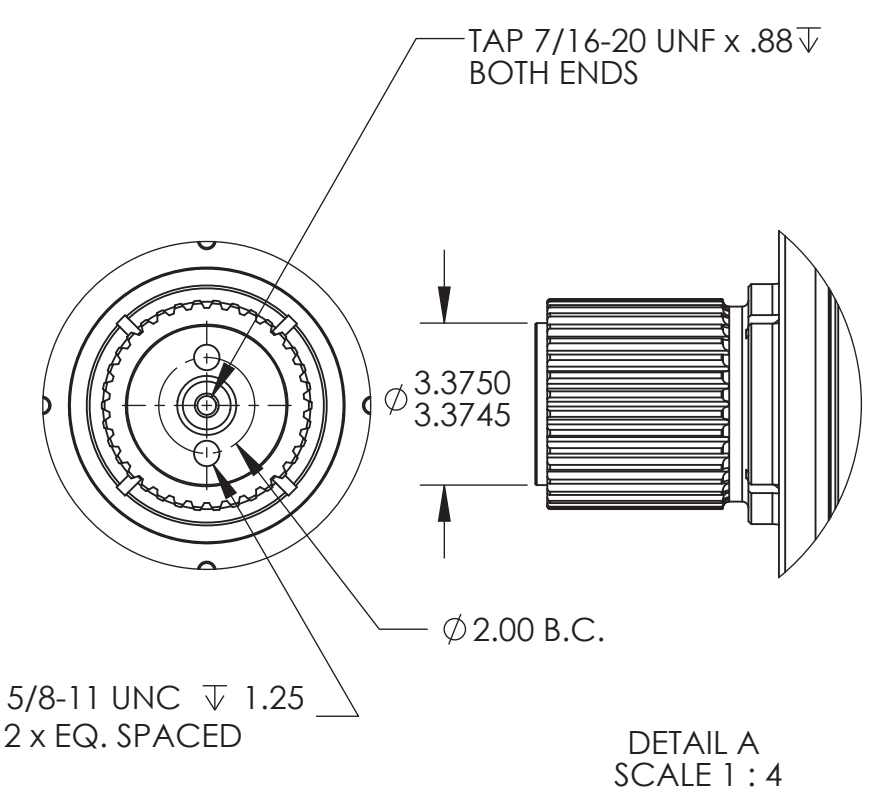
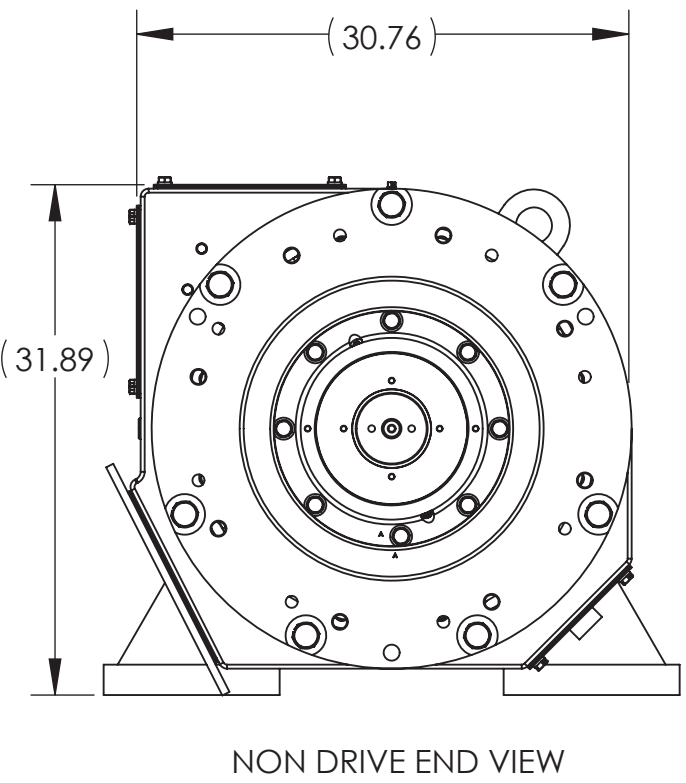
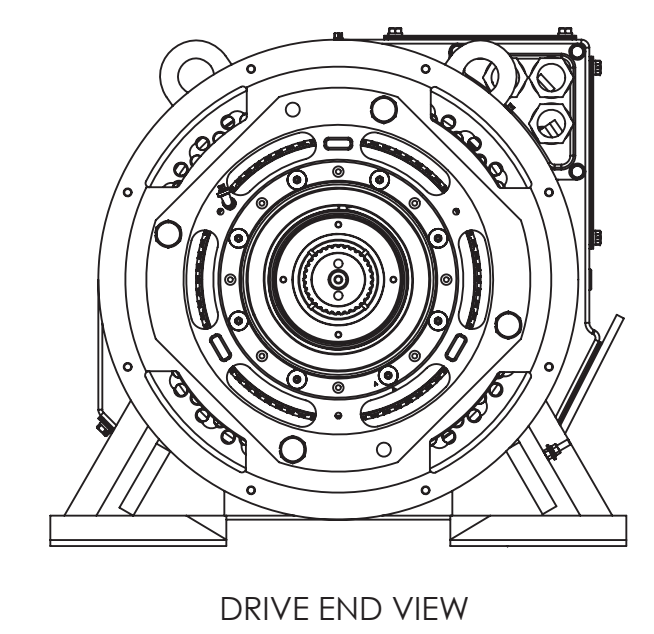
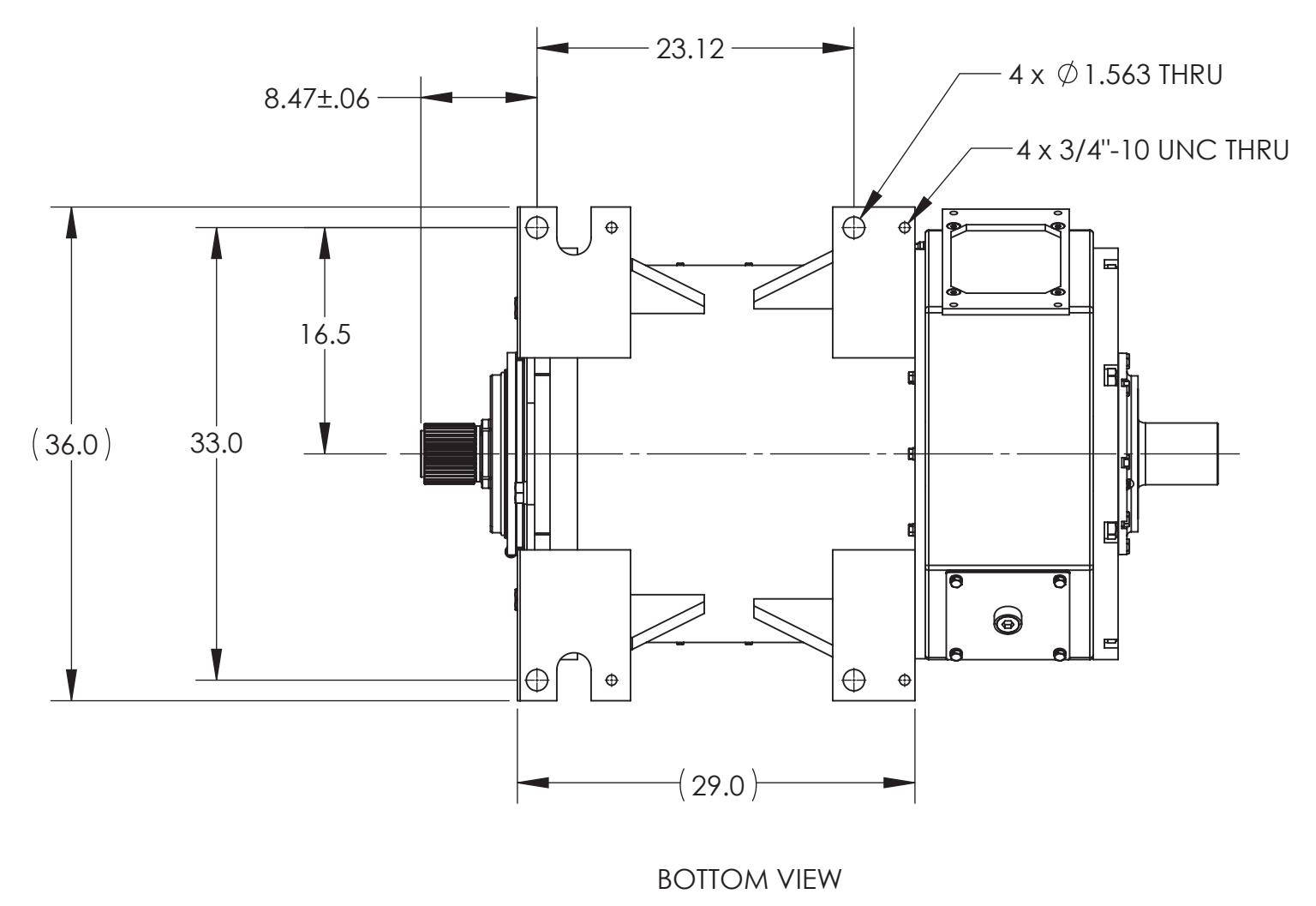
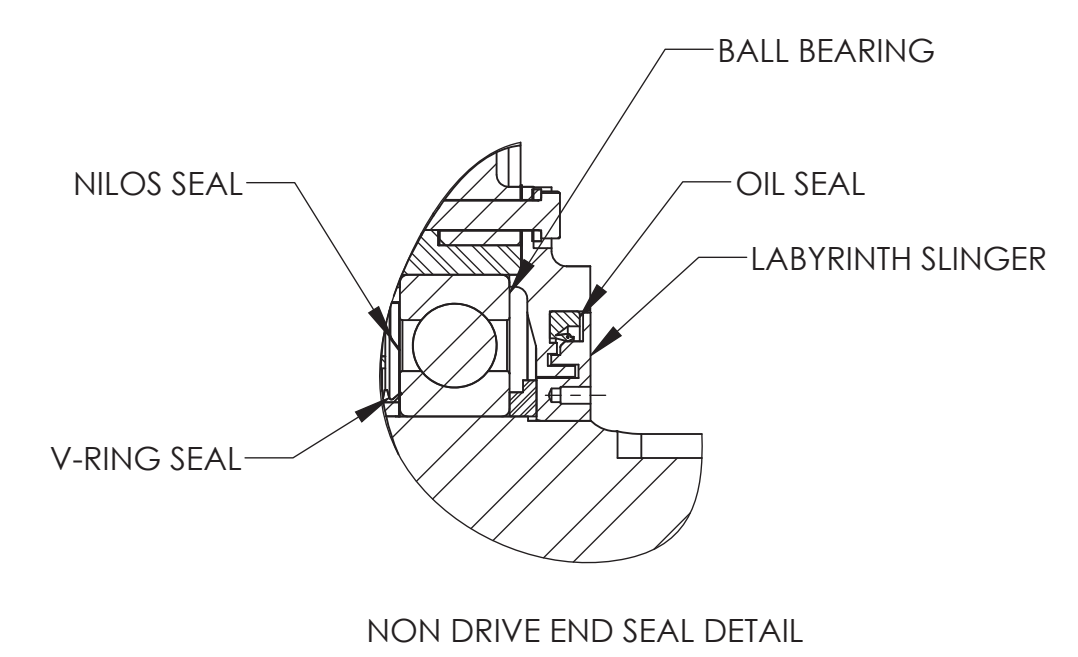
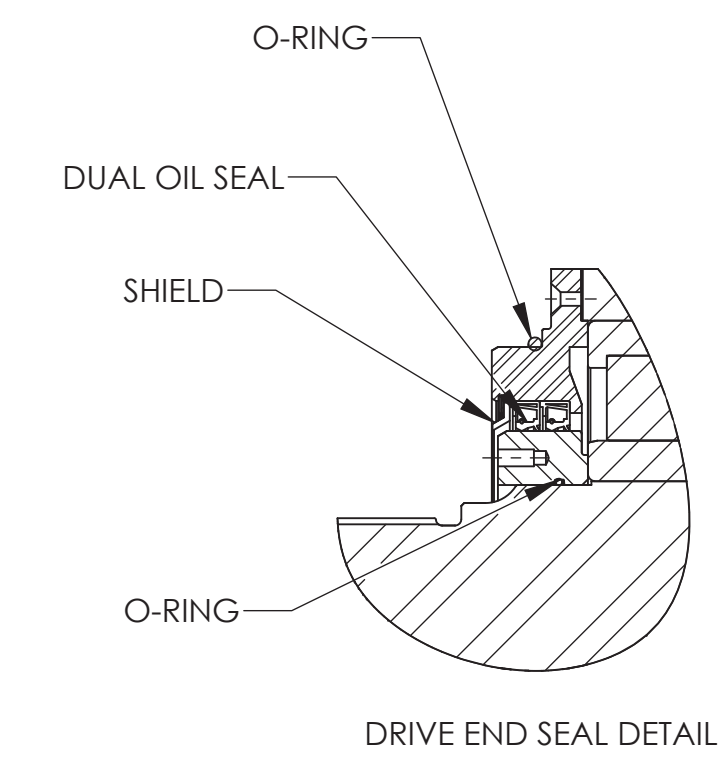
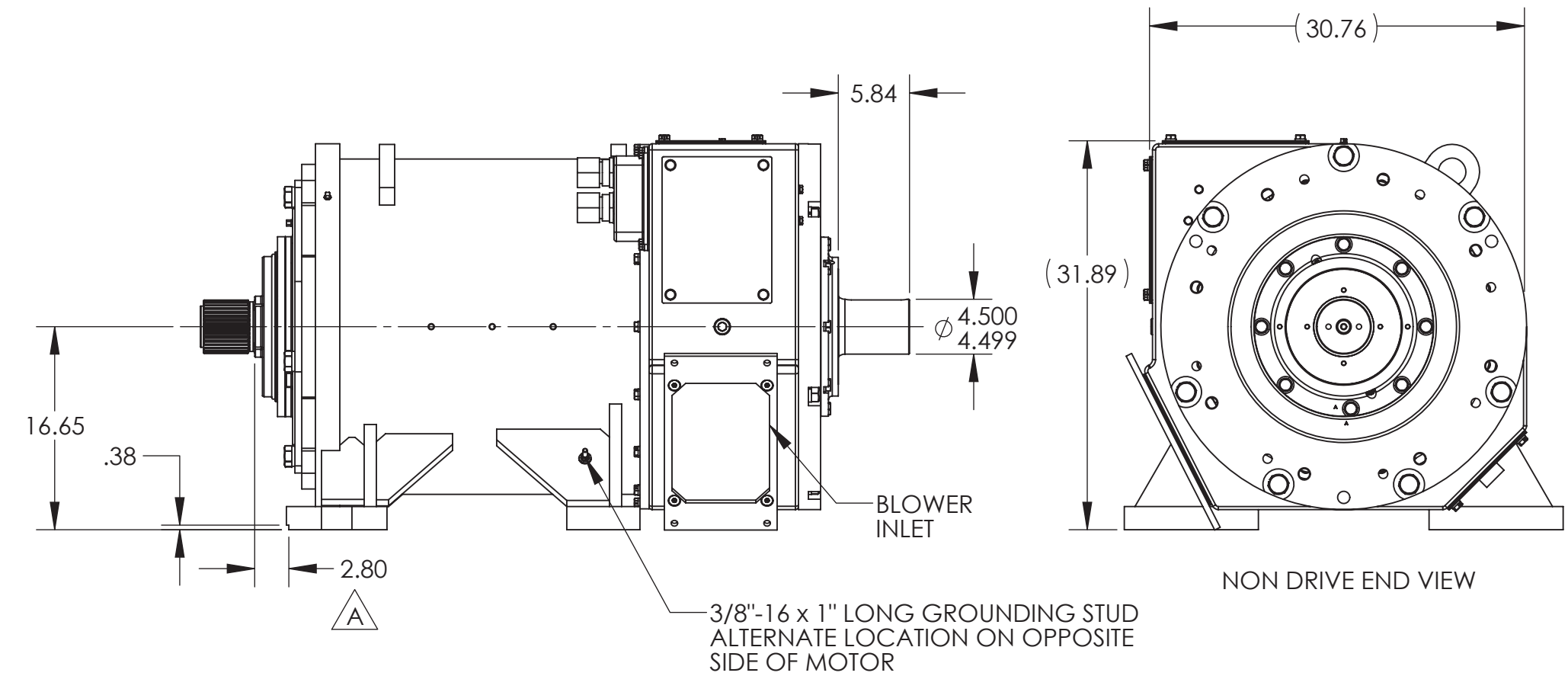
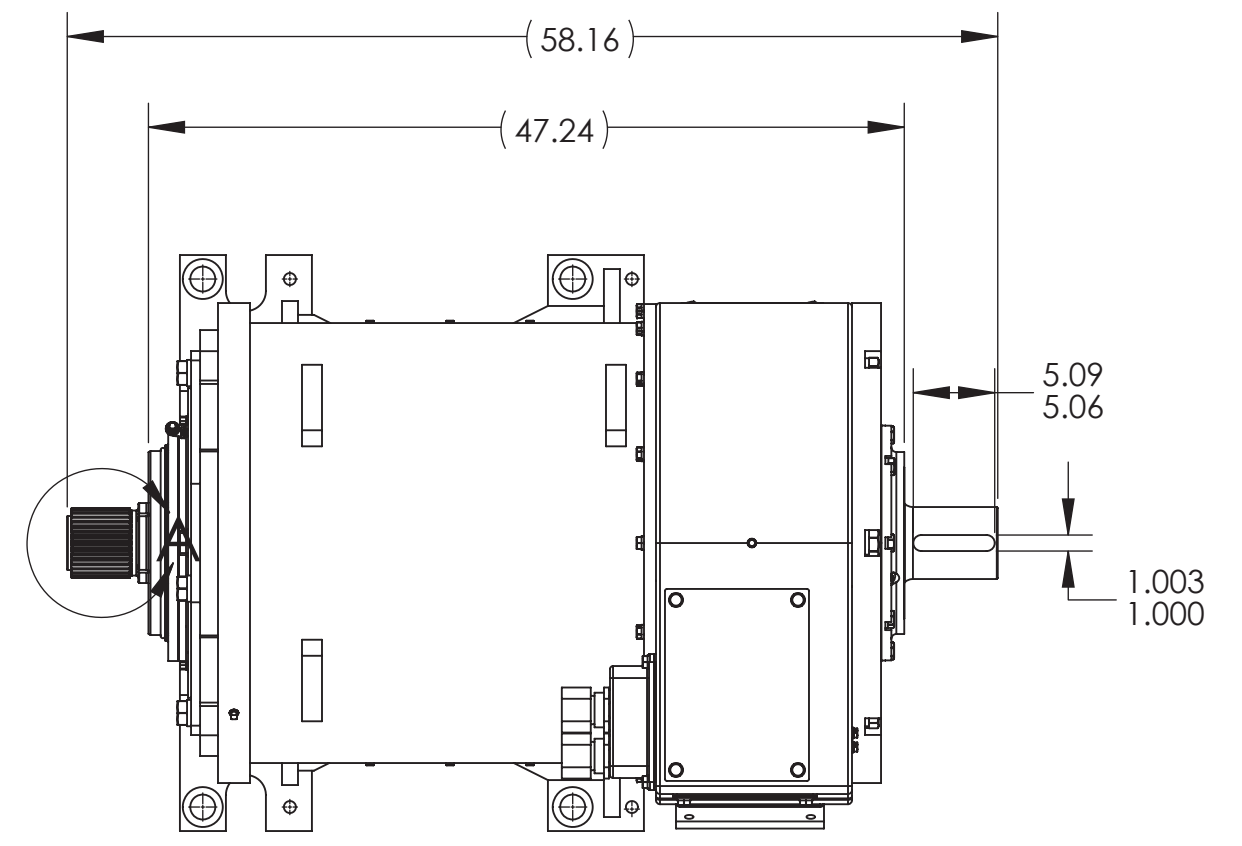
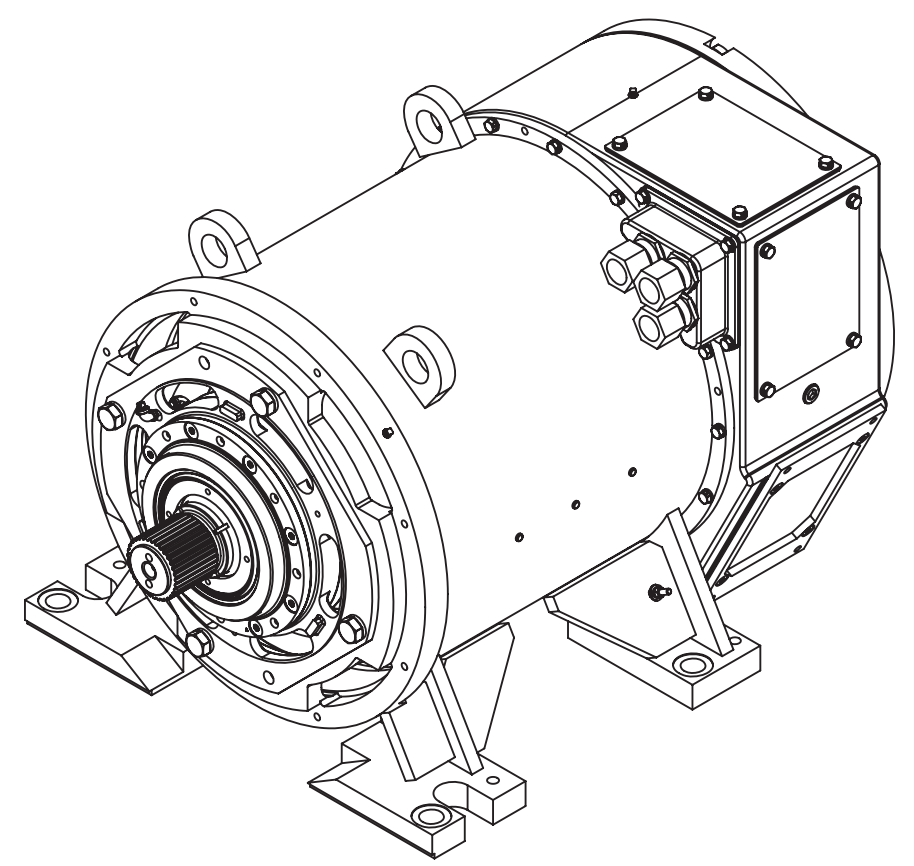


REVISIONS-REVISION STATUS ALL SHEETS				
REV.	DESCRIPTION	ECN NO.	DATE	APPR.
-	INITIAL RELEASE	EC-04756	15MAR2012	LCG
A	2.80 WAS 2.77	EC-06161	24JUL2014	<i>[Signature]</i>

NAME PLATE DATA:  
 HP 1150 (858 kW)  
 VOLTS 587  
 AMPS FULL LOAD = 1120  
 AMPS NO LOAD = 490  
 PHASE = 3  
 POLES = 6  
 SPEED = 795 RPM  
 SPEED, MAX MECHANICAL = 2300 RPM  
 IP RATING = 23  
 IC = 17  
 BEARING DE = NU 330  
 BEARING NDE = 6326M  
  
 TORQUE = 7610 FT-LBS (10320 N-m)  
 REQUIRED COOLING AIR = 3000 CFM AT 9.0 SPWG  
 WEIGHT = 5500 LBS (EST.)



ASTM A322 GRADE 4340 MECHANICAL PROPERTIES FOR ABS CERTIFICATION	
HARDNESS	300 BHN MINIMUM
TENSILE STRENGTH	125.0 KSI MINIMUM
YIELD POINT	105.0 KSI MINIMUM
ELONGATION	12.0%-2'

EXTERNAL INVOLUTE SPLINE DATA		
FLAT ROOT SIDE FIT		
N	NO. OF TEETH	34
P/Ps	SPLINE PITCH	8/16
	PRESSURE ANGLE	30 DEG
Db	BASE DIAMETER	3.68061 REF
D	PITCH DIAMETER	4.2500 REF
Do	MAJOR DIAMETER	4.375 ± .005
Dfe	FORM DIAMETER	4.116
Dre	MINOR DIAMETER	4.064 ±.005, -0
CIRCULAR TOOTH THICKNESS - CLASS 4		
†	MIN. ACTUAL	.1936 ± .0011
	MAX EFFECTIVE	.1963
	MEASURE OVER PINS	4.6213/4.6196
	PIN DIAMETER	.2400

ANSI-INCH TOLERANCES UNLESS OTHERWISE SPECIFIED: Linear Dimensions: X ± 1/16" X/Y ± 1/16" X.X ± 0.04 X.XX ± 0.02 X.XXX ± 0.005 Angular Dimensions: X ± 1° X.X ± 0.5°	MATERIAL:	©2014 <b>Ward Leonard</b> Ward Leonard - CT, LLC Thomaston, CT 06787	THIS DRAWING IS THE PROPERTY OF WARD LEONARD - CT, LLC, THOMASTON, CT. THIS DOCUMENT AND/OR THE INFORMATION CONTAINED THEREIN SHALL NOT BE DUPLICATED, USED, LOANED, OR DISCLOSED IN WHOLE OR IN PART FOR THE MANUFACTURE OR PROCUREMENT OF ANY ITEM OR ITEMS SHOWN ON OR THEREBY WITHOUT THE WRITTEN CONSENT OF WARD LEONARD - CT, LLC. THIS PRINT IS LOANED, SUBJECT TO RETURN ON DEMAND.
	FINISH:		
SURFACE FINISH 125/	BREAK ALL SHARP EDGES DO NOT SCALE DRAWING	APPROVED BY: LCG APPROVED DATE: 07/24/2014	TITLE: AC MOTOR 1150 HP VERTICAL
THIRD ANGLE PROJECTION	SCALE: 1:12	WT: 0 LBS	SHEET 1 OF 1