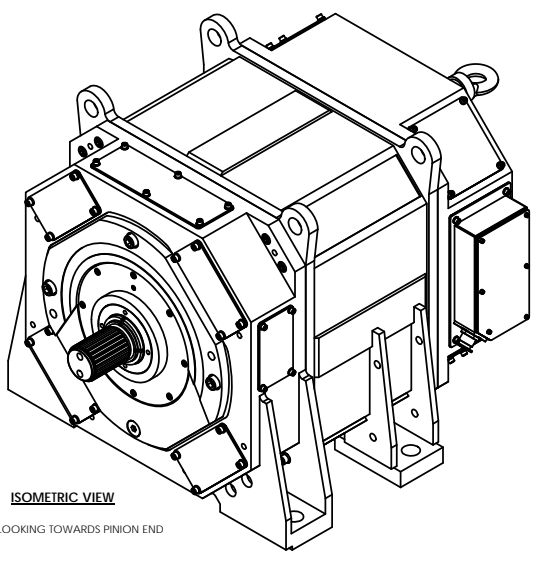
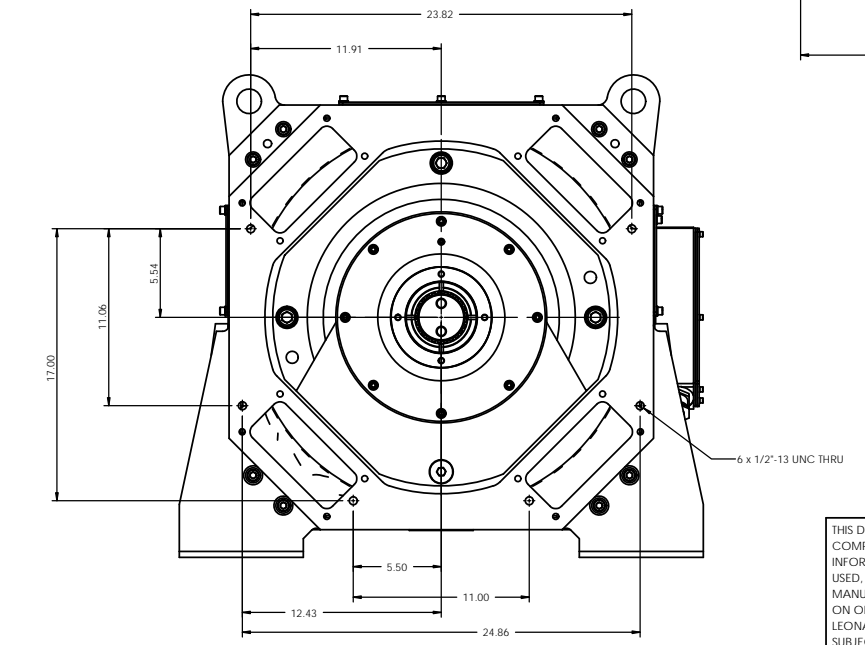
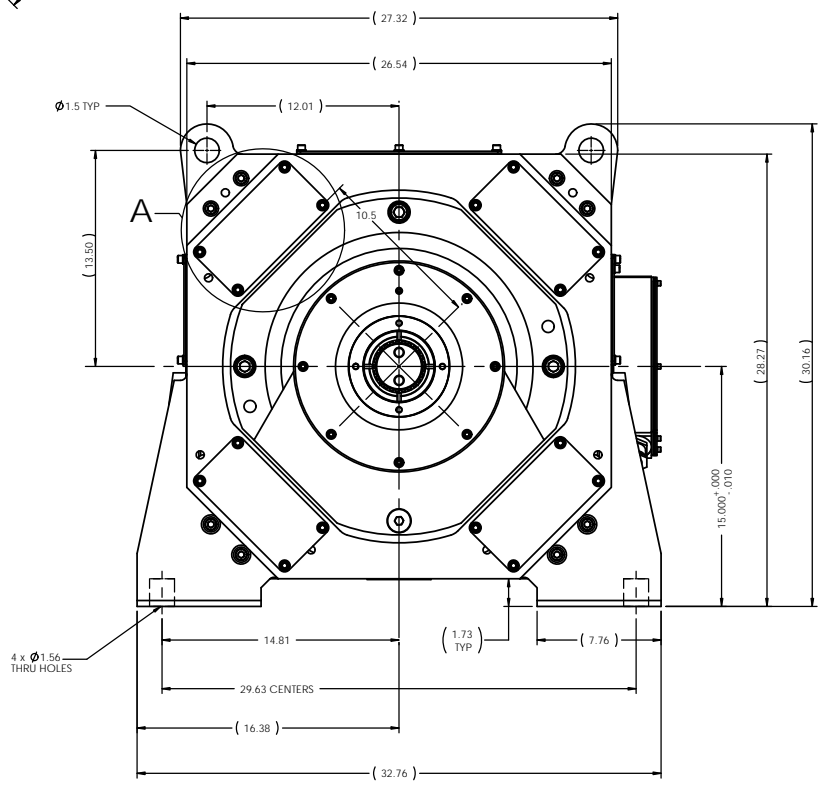
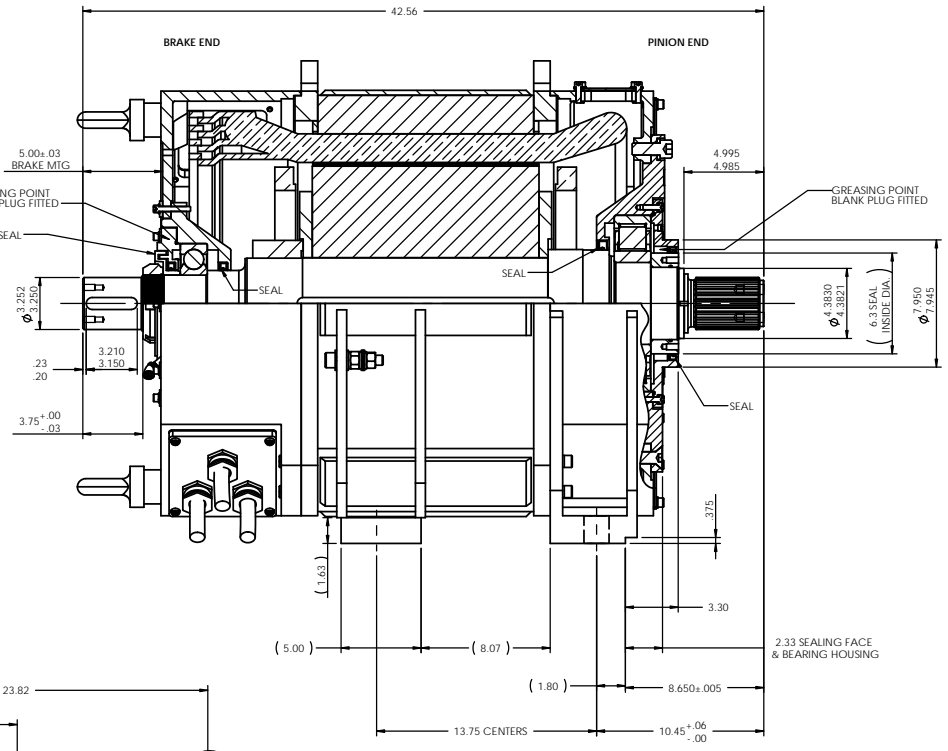
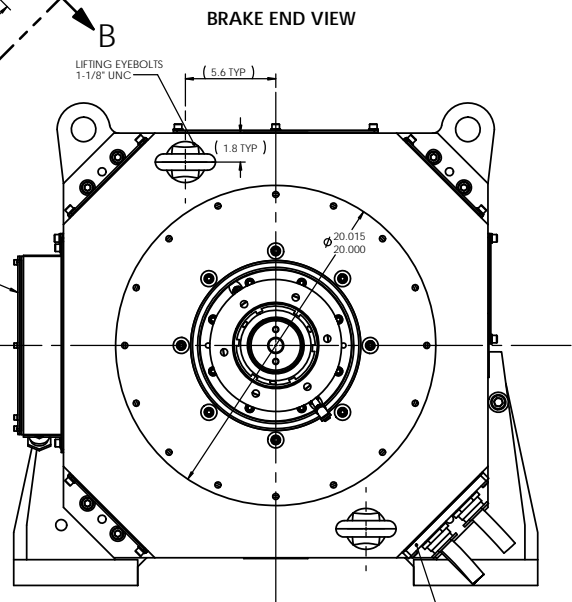
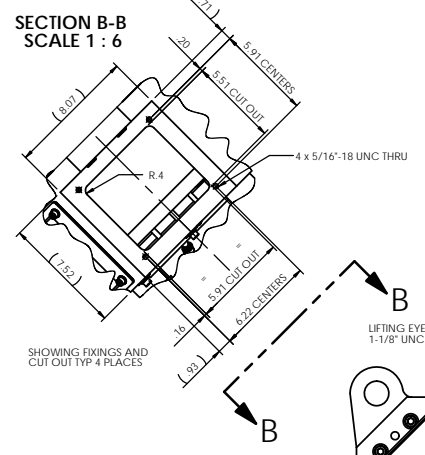
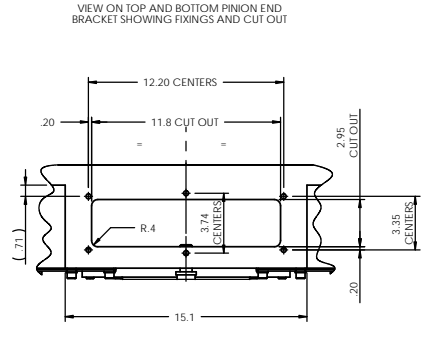
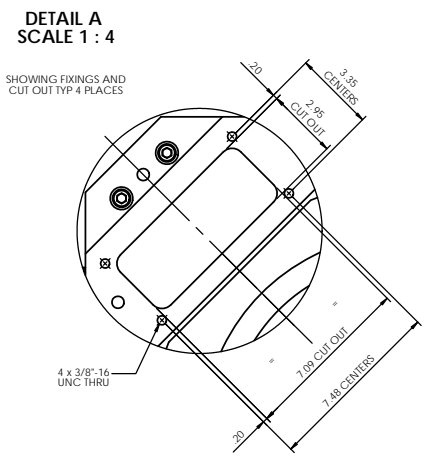
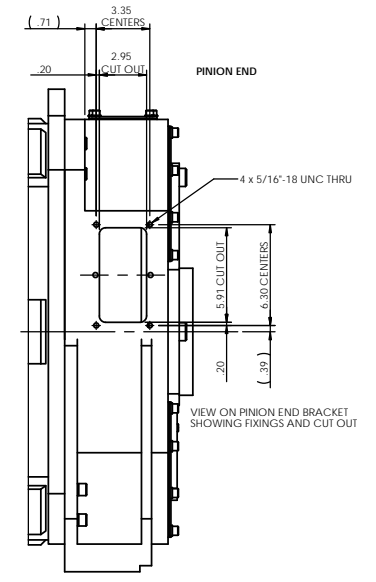
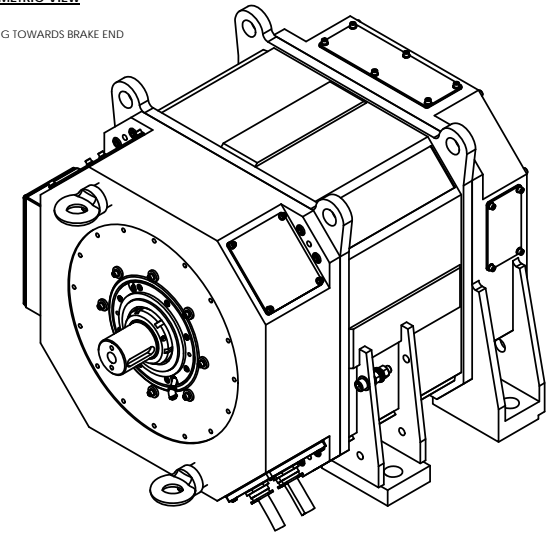


REVISIONS-REVISION STATUS ALL SHEETS				
REV.	DESCRIPTION	ECN NO.	DATE	APPR.
-	INITIAL RELEASE	EC-03268	17JUN10	JAH
A	REMOVED NOTE: AIR INLET 1680 CFM, SSP	EC-03836	26MAY11	JRH

ISOMETRIC VIEW
VIEW LOOKING TOWARDS BRAKE END



NOTES:
1. DETAILS OF PINION END AND BRAKE END SHAFT EXTENSIONS AS PER CANRIG DRG No. DT13482 REV E.

THIS DRAWING RELATES TO A CERTIFIED PRODUCT AND MUST NOT BE REVISED WITHOUT APPROVAL OF THE AUTHORIZED PERSON.
SEE WL INSTRUCTION EOI 04-0025 FOR ASSOCIATED CERTIFIED DRAWING(S).
REF: IEC 60079-0 (8.1 & 17.4.3).
THIS PART MUST NOT CONTAIN MORE THAN 6% MAGNESIUM.
EST. WEIGHT 3700LBS

THIS DRAWING IS THE PROPERTY OF WARD LEONARD ELECTRIC COMPANY INC., THOMASTON, CT. THIS DOCUMENT AND/OR THE INFORMATION CONTAINED THEREIN SHALL NOT BE DUPLICATED, USED, LOANED, OR DISCLOSED IN WHOLE OR IN PART FOR THE MANUFACTURE OR PROCUREMENT OF ANY ITEM OR ITEMS SHOWN ON OR THEREBY WITHOUT THE WRITTEN CONSENT OF WARD LEONARD ELECTRIC COMPANY INC. THIS PRINT IS LOANED SUBJECT TO RETURN ON DEMAND.

UNLESS OTHERWISE SPECIFIED DIMENSIONS ARE IN INCHES TOLERANCES ARE: DECIMALS: X.X ± 0.04 DECIMALS: X.XX ± 0.02 DECIMALS: X.XXX ± 0.005 ANGLES: X.X ± 0.5°		MATERIAL:		Ward Leonard Electric Company Inc. Thomaston, CT 06787	
THIRD ANGLE PROJECTION		FINISH:		TITLE	
SURFACE FINISH: 125/		BREAK ALL SHARP EDGES		DRAWN BY: RJL	
DO NOT SCALE DRAWING		DO NOT SCALE DRAWING		DRAWN DATE: 17JUN10	
		APPROVAL:		CHECKED: JAH	
		DATE: 17JUN10		APPROVED: JAH	
		SCALE: 1:8		DATE: 17JUN10	
		WT: LBS		CAGE CODE: 63743	
		SHEET 1 OF 1		DWG NO: WL381060VSSSPA	

Ward Leonard Ward Leonard Electric Company Inc.
Thomaston, CT 06787

**AC MOTOR IP23,
IC17, V1 MOUNTING**

SIZE: D CAGE CODE: 63743 DWG NO: WL381060VSSSPA REV: