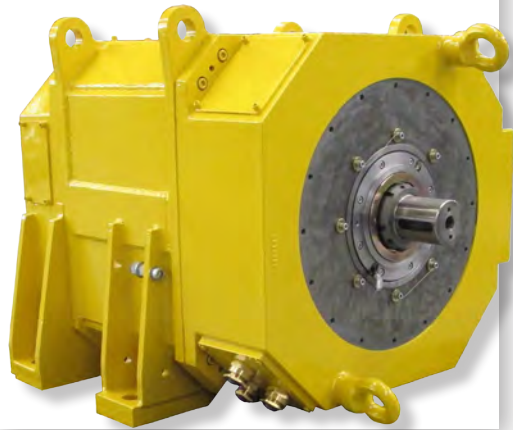




Ward Leonard

Excellence in Motor and Control Solutions™

800 HP AC Drilling Motor – WL16BC080



For Top Drive Applications

High Power Density Technology for Oil & Gas Applications

Up To 800 HP in a Standard 600 HP Frame

Drill deeper, faster and with more efficiency with High Power Density motors from Ward Leonard. Utilizing proprietary intra-slot cooling technologies, the WL16BB080 delivers up to **33% more horsepower and torque** than similar motors, and will withstand rigorous high shock and vibration conditions for decades of continuous service in harsh environments.

Standard Features

- ◆ 6 pole stator with form wound windings
- ◆ Extra tough pitch copper rotor bars
- ◆ Certified Class H sealed insulation
 - Fully taped with silicon tape
 - Glass sleeving on bolted wire connections
 - Fully vacuum impregnated
 - Tested for 4 hours under water at 500 V
- ◆ 4140 and 4340 alloy shafts available
- ◆ Six 100Ω platinum RTDs; 2/phase embedded in stator

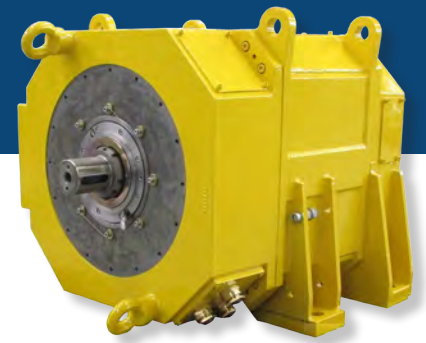
- ◆ Shaft seals on the drive and non-drive sides
- ◆ Designed for Variable Frequency Drive operation
- ◆ Designed for high shock environments
- ◆ Heater
- ◆ IP 44 motor enclosure
- ◆ ISO 9001:2008-certified

Optional Features

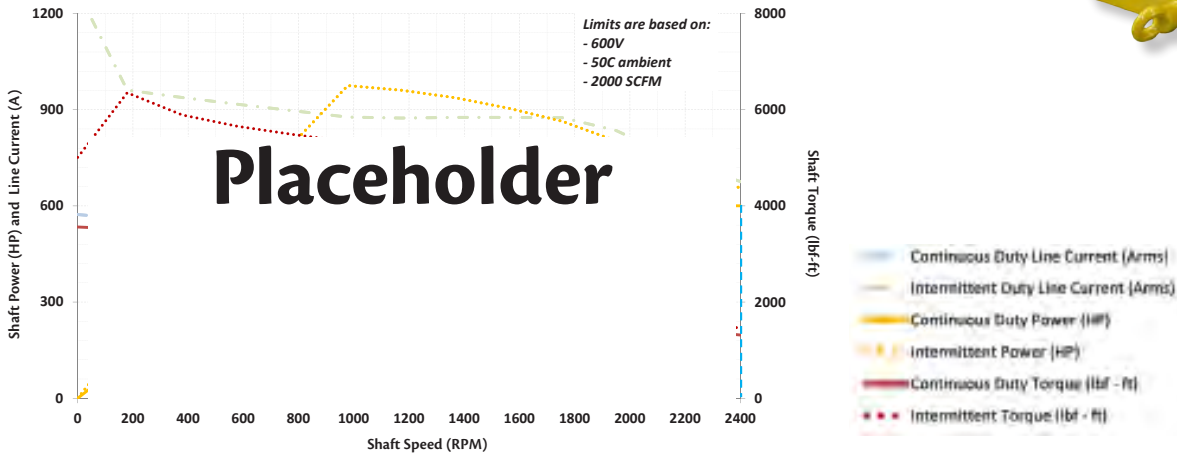
- ◆ Encoder
- ◆ Bearing RTD
- ◆ Blower assembly
- ◆ Air pressure switch
- ◆ IP 56 junction box
- ◆ ABS certification



800 HP AC Drilling Motor



Speed - Torque Performance That Leads the Industry

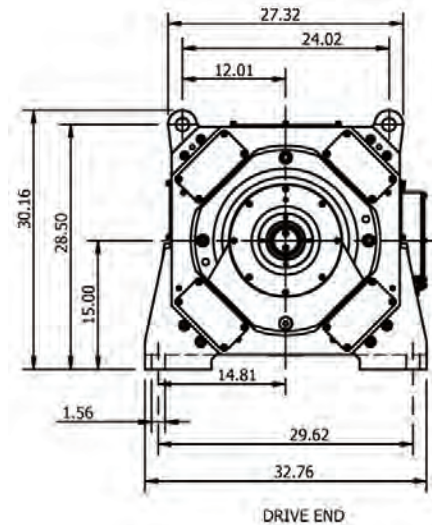


Critical Data

Model number	WL16BC080
Voltage (AC)	575 ±10%
Current (Amps)	570
Rated Speed	982 RPM
Torque (lb ft)	3210 at rated speed
HP	800 at rated speed
Max. permissible speed	2400 RPM
Base motor weight	4,000 lbs.
Rotor weight	1,100 lbs
Recommended blower CFM	2,000
Nominal resistance / phase @ 25 °C	0.0088 Ω
Rotor balance	28.1 gram inches
Standard bearing grease	Mobil Unirex EP 2 *
Megger resistance	20 MΩ

* Others available upon request.

Dimensions



Ward Leonard is a global provider of highly engineered motors, controls and integrated solutions that power Oil & Gas exploration. We provide benchmark performance, productivity, durability and customer support primarily for Top Drives, Mud Pumps, Draw Works, Rotary Tables, Engine Controls and Control Houses. Learn more at www.wardleonard.com.

401 Watertown Road, Thomaston, CT 06787
 P: 860.283.5801 | F: 860.283.5777 | sales@wardleonard.com | WardLeonard.com